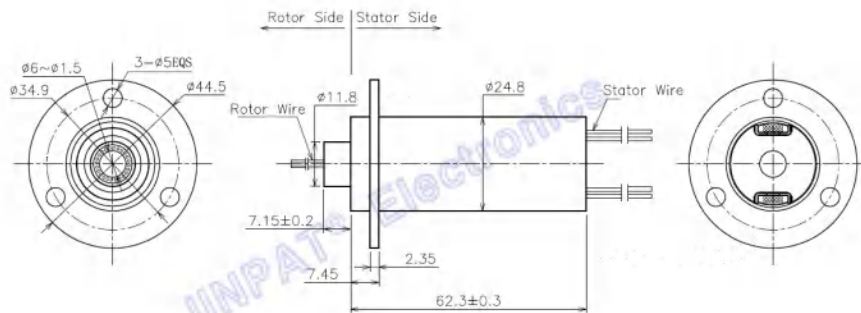


Benefits:

- ◆ Low torque minimizes system torque budget
- ◆ Compact design to fit in the most demanding space.
- ◆ Smooth running
- ◆ Low electrical noise
- ◆ Quick shipment per your urgent requirement
- ◆ 360° continuous rotation
- ◆ High bandwidth transfer capability



| Electronic & Electric | | | Mechanical | |
|-----------------------|--------|---|--|---|
| Circuits | Total | 30CKT | Working Speed | 0~300rpm |
| | Detail | 30x2A | Contact Material | Gold to Gold |
| Rating Voltage | | 0~240V AC/DC | Housing Material | Aluminum alloy |
| Dielectric Strength | | $\geq 500 \text{VAC} @ 50 \text{Hz} (\text{P})$ $\geq 100 \text{VAC} @ 50 \text{Hz} (\text{S})$ | Lead Wire Length | Stator: $250 \pm 5 \text{mm}$ Rotor: $250 \pm 5 \text{mm}$ |
| Insulation Resistance | | $\geq 100 \text{M}\Omega @ 500 \text{VDC} (\text{P})$ $\geq 10 \text{M}\Omega @ 100 \text{VDC} (\text{S})$ | Inner Diameter | $\phi 6.4 \sim \phi 1.5$ |
| Environment | | | Remarks | |
| Working Temperature | | $-20^\circ \text{C} \sim +60^\circ \text{C}$ | Application | / |
| Working Humidity | | $\leq 60\% \text{RH}$ | Other | / |
| IP | | IP40 | Note: "P" stands for power, "S" stands for signal. | |